



23.7" Rugged Multifunction Display

Overview

AVI's D242X series modular rugged multifunction display is a 1920x1080 resolution, 8-bit color, high-contrast, high-brightness unit that provides beautiful image clarity. With a 23.7" diagonal viewing area, this light-weight 6.4Kg (14.1 lbs) unit provides a small footprint of only 580mm x 353mm x 34mm (22.8" x 13.9" x 1.4") for a display of this size. The D242X series features hardened cover glass with Projective Capacitive (PCAP) touch screen, direct sunlight readable, 3G-SDI input and output, up to sixteen selectable video layouts for the four 3-G SDI inputs, fully IP68 rated and many other outstanding features.

AVI's new range of displays use a modular approach to provide higher reliability, lower costs, and greater installation flexibility. Each display system consists of three modules – the LCD Module, the Display Electronics Unit (DEU), and the User Interface Module (UIM).

The LCD Module contains only the LCD and backlight driver. This removes most of the heat and EMI generating electronics allowing extended operating temperatures, longer LCD life, and lower weight. Mounting is provided by either four front panel mounts, three mount points on each side, or a 100mm VISA mount on the back.

The DEU contains the LCD driver, DC/DC converter and video processors. Connection to the LCD Module is via an AVI provided Embedded DisplayPort



Figure 3 – Display Electronics Module.

(eDP) cable or the DEU can be directly attached to the back of the LCD Module. The DEU can be placed up to 2 meters (6.5') from the LCD Module. This facilitates various options for mounting the LCD Module in tight locations or on articulated display mounts.



Figure 1 - LCD Module Front.

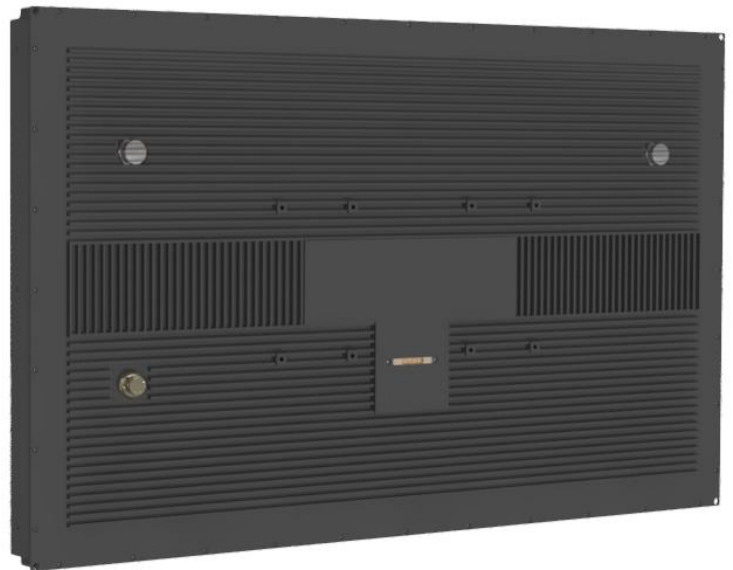


Figure 2 - LCD Module Back.

AVI's innovative PCAP based User Interface Module (UIM) is also provided as a separate module. Various module configurations are available. The unit can be panel mounted



23.7" Rugged Multifunction Display

wherever the user wants it or can be mounted to any side of the LCD Module.



Figure 4 – 12 and 6 button User Interface Modules.

- Heat dissipating frame and enclosures
- Attached or remotely located electronics module
- Attached or panel-mount user interface module
- Lightweight LCD module for flexible mounting options
- Quad image processing with up to 16 image layouts
- Extreme shock and vibration capable
- 9 – 36 V DC Power
- Three-year warranty

Options

- NVGS Class B
- Touch Screen

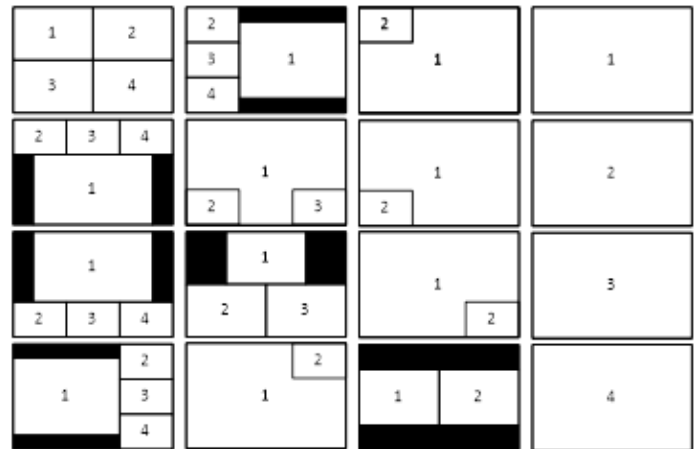


Figure 5 – LCD Module with DEU and UIM attached.

Standard Features

- 1920x1080 resolution with 8-Bit color (RGB) for pristine images
- Optically bonded LCD and AR coated cover glass for additional strength and higher contrast
- PCAP touchscreen
- Sealed enclosure (IP68) for extreme environments
- Four 3G SDI video Input and active image output
- Supports all SMPTE standard resolutions and frame rates through 425M
- Frames and enclosures milled from aircraft aluminum
- Direct sunlight viewable ($\geq 1000 \text{ cd/m}^2$)
- PCAP Function buttons that will never wear out
- VESA Mount, Panel Mount, or 3-point mounts on all sides provides flexible mounting options
- -30 C° to 50 C° operation (with heater)

Selectable Image Configurations





AVI – Optimize your sensor

23.7" Rugged Multifunction Display

<p>Video Inputs</p> <ul style="list-style-type: none"> SD, HD, and 3-G SDI (4) <ul style="list-style-type: none"> Connector type – BNC Coax 75Ω Input equalization > 100m (Belden 1694A) <p>Video Outputs</p> <ul style="list-style-type: none"> SD, HD, and 3-G SDI (Active Image) (1) <ul style="list-style-type: none"> Re-clocked, 10 bit, 4:2:2 color encoding Connector type – BNC Coax 75Ω <p>Supported SDI Video Formats</p> <ul style="list-style-type: none"> 3G – SMPTE 424M <ul style="list-style-type: none"> 2.97 and 2.967Gb/s 1080p@60/59.94/50Hz Format SMPTE 425M Level A HD – SMPTE 292M/274M/296M <ul style="list-style-type: none"> 1.485 and 1.435Gb/s 1080i@60/59.94/50Hz 1080p@30/29.97/25/24/23.98 Hz 720p @60/59.94/50/30/29.97/25/24/23.98 Hz SD – SMPTE 259M <ul style="list-style-type: none"> 270Mb/s 625i@50Hz 525i@59.94Hz 	<p>LCD Specifications</p> <ul style="list-style-type: none"> Screen Diagonal 604.7mm [23.81 in] Resolution 1920x1080 Pixel Pitch 0.2745x0.2745mm Pixel Arrangement R.G.B Vertical Stripe Display Mode Normally Black White Luminance Max ≥ 700 cd/m², 750 cd/m² Typical Contrast Ratio ≥ 1000:1 Response Time 14ms (typical, on/off) Supported Colors 16.7 M, 24 bit (8-Bit RGB) Viewing Angles 89L, 89R, 89U, 89D typical Backlight Dual CH hi-bright LED NVGS Class B (option) Touch Panel Capacitive <p>DEU I/O</p> <ul style="list-style-type: none"> RS-232*, RS-422, USB 2.0 <ul style="list-style-type: none"> Connector Type 2M805-005-07ZNU12-26 1000BaseT Ethernet <ul style="list-style-type: none"> Connector Type 2M805-005-07ZNU9-10 <p>* If touch Screen out put selected as RS-232, this is not available</p>	<p>Environmental</p> <ul style="list-style-type: none"> Operating Temp Low -30°C** DO-160G Cat B2 Operating Temp High +45°C DO-160G Cat B2 Short Term Op Temp Low -30°C** DO-160G Cat B4 Short Term Op Temp High +55°C DO-160G Cat B4 Ground Survival Low Temp -55°C DO-160G Cat B4 Ground Survival High Temp +85°C DO-160G Cat B4 Temp Variation 5°C per minute DO-160G Cat B Humidity 38°C to 95@ 50°C DO-160G Cat A Operational Shock 6g @ 11ms, 20G DO-160G Cat B Vibration Random, 10-2000Hz DO-160G Cat U, U2 Explosion Proofness* MIL-STD-810G Method 511.6 Waterproofness Spray Proof DO-160G Cat R Magnetic Effect DO-160G Cat A Power Input* DO-160G Cat A Voltage Spike 2x Line Voltage DO-160G Cat B EMI/EMC Sec 18, 19, 20, 21 DO-160G Cat B, CC, R, M ESD* DO-160G Cat A Ingress Rating IP68 Altitude Operating 50,000ft DO160G Cat D1 <p>*By similarity ** With heater -10 otherwise</p>
<p>Model Numbers</p> <ul style="list-style-type: none"> LCD Module: D212-00 No options LCD Module: D212-01 Touch Screen LCD Module: D212-10 NVGS LCD Module: D212-11 NVGS and Touch Screen DEU Module: DEU021-100 Mounted to LCD DEU Module: DEU021-101 Unmounted* LCD to DEU Cable: DC05 0.5 meter cable LCD to DEU Cable: DC10 1.0 meter cable LCD to DEU Cable: DC20 2.0 meter cable User Interface: UIM001-00 6 button PCAP User Interface: UIM001-01 6 button Mechanical User Interface: UIM002-00 12 button PCAP User Interface: UIM001-01 12 button Mechanical User Interface: UIM002-00 18 button PCAP User Interface: UIM001-01 18 button Mechanical <p>* Cable required</p>	<p>To be DO-160 Tested</p>	
<p>Power</p> <ul style="list-style-type: none"> +9 to +36V DC 4.3A @ 28V DC (full brightness) Connector Type 2m805-07ZNU8-7EA 		
<p>Dimensions and Weight</p> <ul style="list-style-type: none"> TBD 		

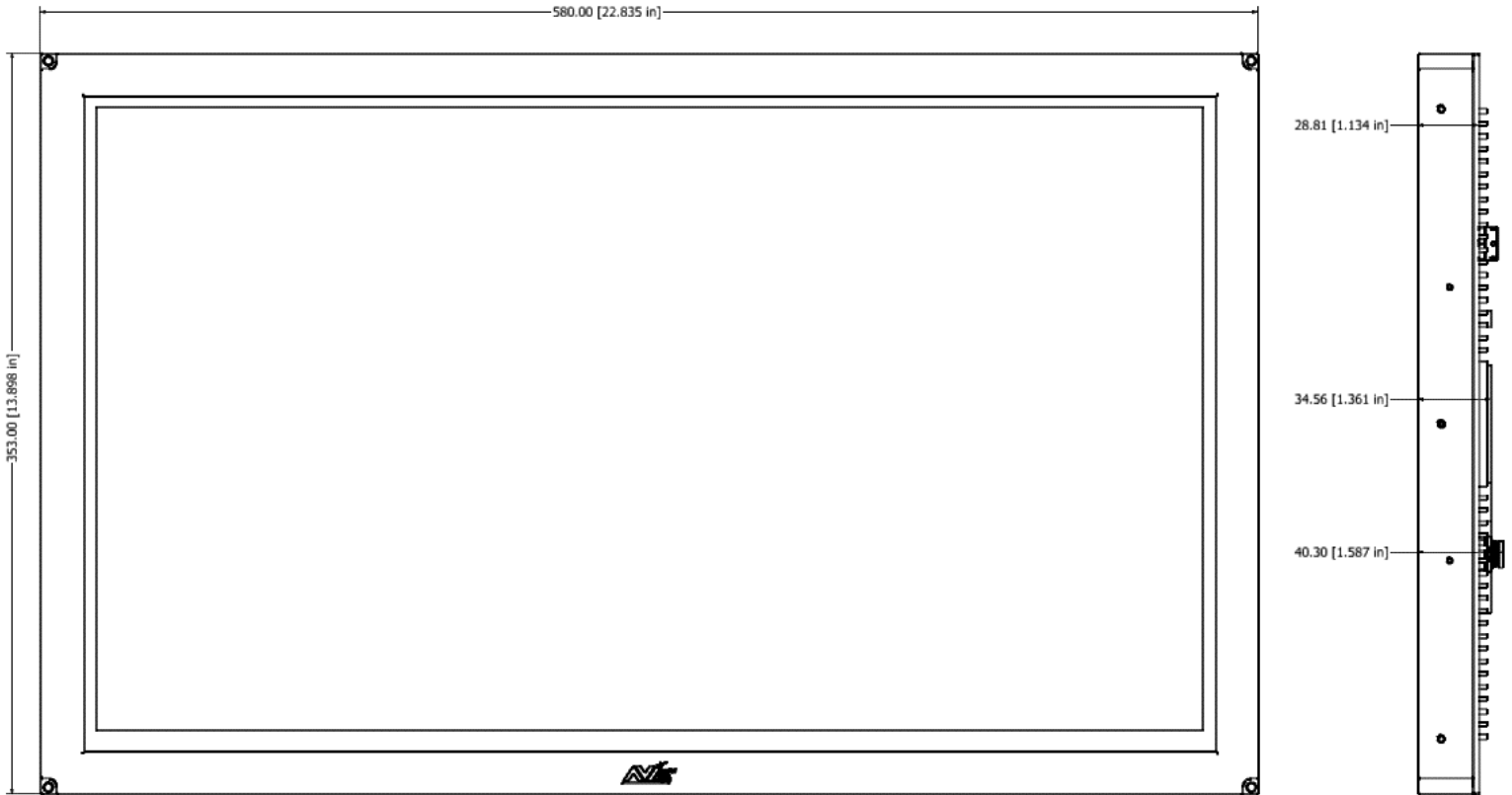


Applied
Video
Imaging

AVI – Optimize your sensor

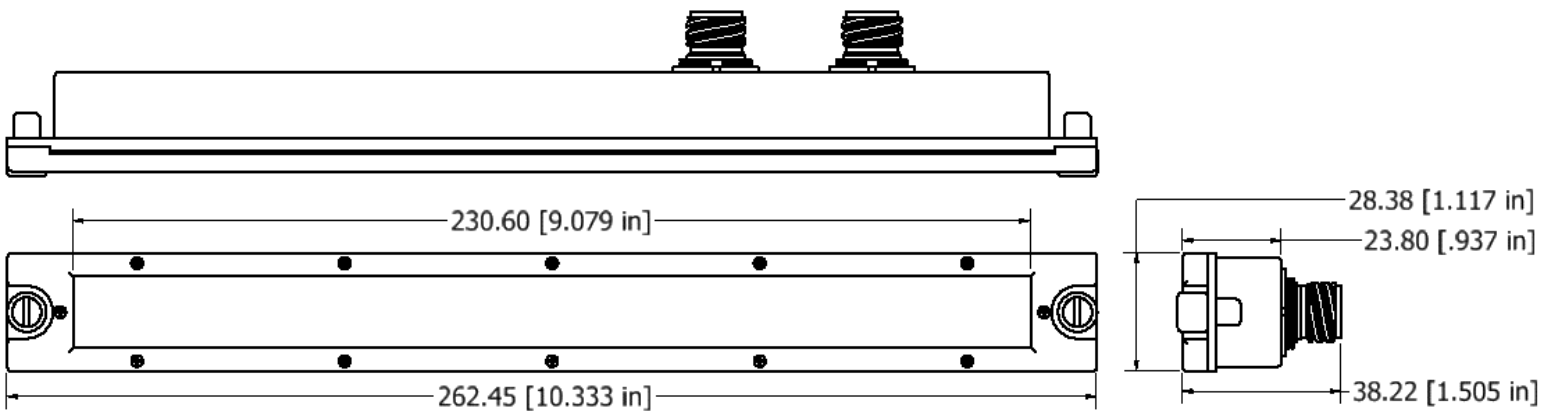
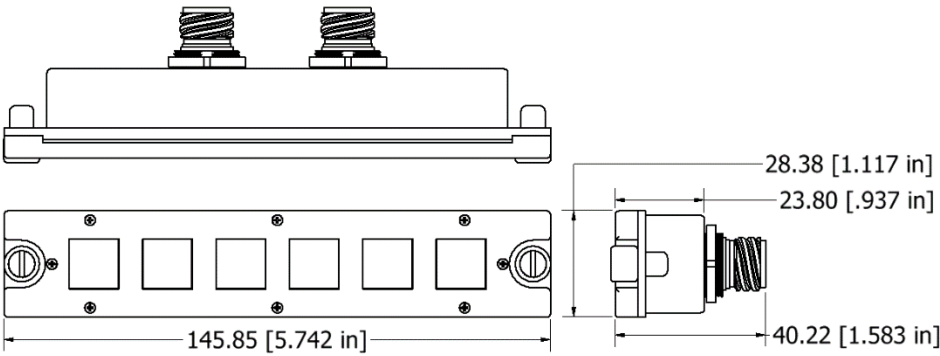
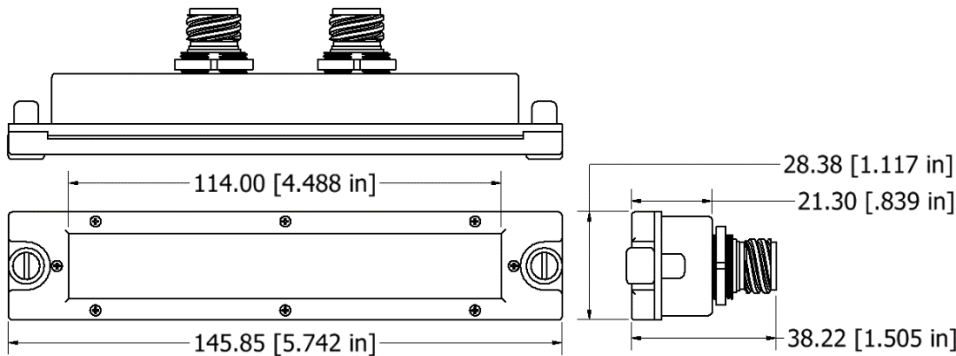


23.7" Rugged Multifunction Display





23.7" Rugged Multifunction Display





Applied
Video
Imaging

AVI – Optimize your sensor



23.7" Rugged Multifunction Display

