

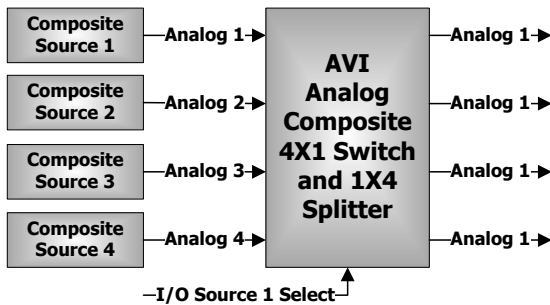


# Analog Composite 4X1 Switch and 1X4 Splitter

## Overview

The AVI S150201-00 is a fully rugged stand-alone unit that can switch any of four analog composite video inputs to four duplicated analog composite video outputs. It can be used as a 4X1 video switch or 1X4 video splitter. Both NTSC and PAL formats are supported.

Simple I/O control is provided by four I/O pins at 3.3v and reference ground on the power connector. These can be connected to standard rotary switches, encoders, and other control subsystems. On-board micro controller can be set to accommodate any of these control methods.



## Standard Features

- Up to four NTSC/PAL video inputs
- Four NTSC/PAL duplicated video outputs of the selected input
- ITU-R BT.470-5 Compliant
- Buffered output for restoration of peak-to-peak video amplitude
- 9 – 36 V DC Power
- MIL-STD circular power and I/O connector
- -45C° to 70C° operation
- Heat dissipating enclosure
- Three-year warranty

## Benefits

- Switches any of four analog inputs to all outputs
- Both a switch and a splitter
- Provides “distribution amplifier” function
- No setup required
- Open - works with any NTSC/PAL source as well as SECAM

## Typical Applications

- Surveillance systems
- Airborne Law Enforcement sensor systems
- Customs and Boarder Protection sensor systems
- Naval and Coastguard ship’s sensor systems
- Ground Vehicle sensor systems

