



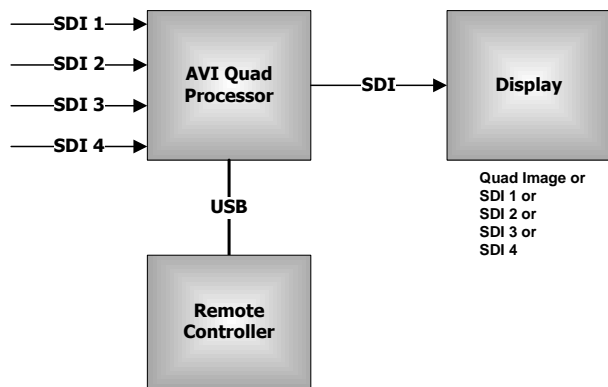
Rugged DZUS Panel Mount Remote Controllers

Overview

AVI's rugged DZUS panel mount remote controller products provide functional control for AVI's entire product line. While AVI products can operate in stand-alone configurations or from AVI displays, these remote controllers provide full functional control and allow video processing and distribution control to be placed where it is needed – with or without AVI displays.

Designed for sunlight and NVGS use, all Controllers feature AVI's projective capacitive touch technology for simplified user interface to all of AVI's video processing and distribution products.

The RXX0100's internal processor host AVI's Open Command Protocol used for controlling both the Controller's PCAP functionality and external communication via USB, TCP/IP, RS-232, RS-422, or RS-485.



Available in four fixed configurations for control of AVI's two Quad Processors and two 3-G SDI Switches, the RXX0100 can also be customized including:

- User specific control configurations
- Custom Icons
- Any device capable of hosting AVI's Open Command Protocol software
- Any device with USB, TCP/IP, RS-232, RS-422, or RS-485 control input (Contact AVI for more information).



AVI's rugged DZUS panel mount remote controllers offer a flexible, light weight, rugged solution for control of video processing and distribution that can be placed where it is needed, maximizing the capability of the mission system.

Standard Features

- AR coated front glass for optimal viewing and strength
- Sealed enclosure (NMEA 6, IP67) for extreme environments
- Brightness control
- PCAP Function buttons that will never wear out
- DZUS size 4 unit (16x16 Switch size 6)
- Open Command Protocol over USB, TCP/IP, RS-232, RS-422, or RS-485 for subsystems control and interface
- -30 C° to 65 C° operation
- 9 – 36 V DC Power
- MIL-STD 38999 circular power, signal, and Ethernet connectors
- Two year warranty





Rugged DZUS Panel Mount Remote Controllers - Specifications

<p>Model Numbers</p> <ul style="list-style-type: none"> • R050100-00 3-G SDI Quad Processor Controller • R100100-00 DVI/HDMI Quad Processor Controller • R150100-00 8X8 Switch Controller • R200100-00 16x16 Switch Controller <p>Option Numbers</p> <ul style="list-style-type: none"> • -00 Standard • -XX Custom Icons 	<p>Environmental</p> <p>DO-160 Tested</p> <p>I/O</p>	<ul style="list-style-type: none"> • Operating Temp Low -30°C / -22°F DO-160G Cat B4 • Operating Temp High +65°C / +149°F DO-160G Cat B4 • Short Term Op Temp Low -35°C / -31°F DO-160G Cat B4 • Short Term Op Temp High +70°C / +158°F DO-160G Cat B4 • Ground Survival Low Temp -55°C / -67°F DO-160G Cat B4 • Ground Survival High Temp +85°C / +185°F DO-160G Cat B4 • Temp Variation 5C° per minute DO-160G Cat B • Humidity 0 to 95±4% @ 50C° DO-160G Cat A • Operational Shock & Crash 6g @ 20ms, 20g Sus DO-160G Cat A, R • Vibration Random, 10-2000Hz DO-160G Cat U2 • EMI/EMC Sec 18, 19, 20, 21 DO-160G Cat B, CC, R, B • Voltage Spike 2x Line Voltage DO-160G Cat B • Waterproofness Drip Test DO-160G Cat W • Ingress Rating IP67 • Altitude Operating 25,000ft DO160G Cat B
<p>Power</p> <ul style="list-style-type: none"> • +9 to +36 DC • 0.2 A @ 28V DC <p>Connector Type MIL-STD D38999/24FB98PN</p>	<p>Dimensions and Weight</p>	<ul style="list-style-type: none"> • 141.28 mm [5.62 in] W, 57.15 mm [2.25 in] H, 133.18 mm [5.24 in] D • 0.59 kg [1.3 lbs]

